

SWING PISTON COMPRESSORS AND VACUUM PUMPS FOR AIR

DATA SHEET E 305



NPK 018 ... DC



NPK 018 ... AC

Concept

The Swing Piston Pumps from KNF are based on a simple principal: As it rises and falls the piston tilts first to one side, then the other. The compression forces act along the axis of the connecting rod, so that there is no component of force acting against the cylinder wall to cause wear. Thanks to the sealing lip on the piston seal the swing piston pump runs dry, and 100% oil-free. They will evacuate, transfer and compress air without contamination.

For customers with unusual requirements the KNF Project Team produces specially tailored solutions. Use our experience to your advantage and talk to our applications engineers.

Features

Uncontaminated flow

No contamination of the air due to oil-free operation

Maintenance-free

High level of flow-rate

Excellent price performance ratio

Very quiet and little vibration

Ready for installation

Can operate in any installed position

Areas of use

The Swing Piston Pumps offer a high level of performance despite their small size, as well as an excellent price performance ratio. They are used especially in the fields of medicine, environmental and production technology.

These pumps are used for transferring, compressing and evacuation air, taking samples, evacuating vessels and compressing air in process systems and vessels.

PERFORMANCE DATA

Type	Delivery (l/min)	Vacuum (mbar absolute)	atm. Press.	Pressure (bar g)	Weight (kg)
NPK 018 Vacuum AC	18	120			1.9
NPK 018 Pressure AC	15			1.5	1.9
NPK 018 Vacuum DC	18	120			1.9
NPK 018 Pressure DC	18			1.5	1.9

NPK 018...DC

PERFORMANCE DATA

Type Order code ²⁾	Delivery at atm. pressure (l/min) ¹⁾	Max. operating pressure (bar g)	Ultimate vacuum (mbar abs.)
NPK 018 Vacuum DC	18	-	120
NPK 018 Pressure DC	18	1.5	-

¹⁾ Litre at STP

²⁾ See also „MODEL CODES FOR EASY ORDERING“

MOTOR DATA

DC Motors to available	12 V	24 V
------------------------	------	------

NPK 018...AC

PERFORMANCE DATA

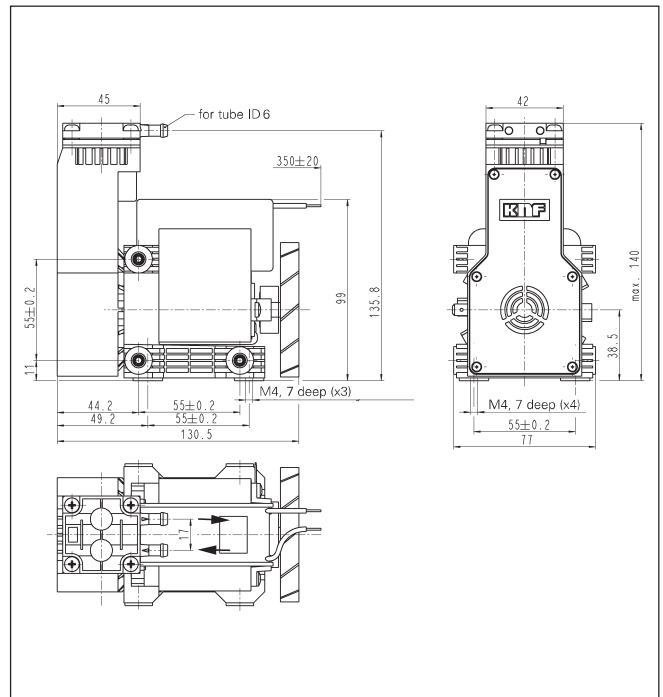
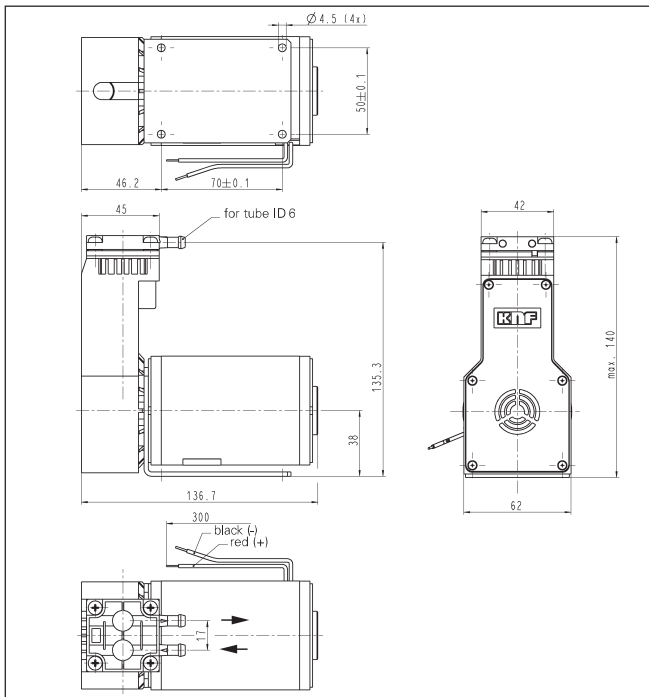
Type Order code ²⁾	Delivery at atm. pressure (l/min) ¹⁾	Max. operating pressure (bar)	Ultimate vacuum (mbar abs.)
NPK 018 Vacuum AC	18	-	120
NPK 018 Pressure AC	15	1.5	-

MOTOR DATA

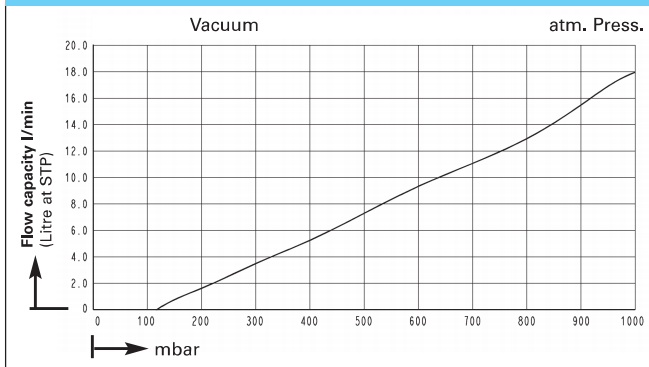
Protection class	IP 00		
Voltage/Frequencies (V/Hz)	~230/50		
Power P ₁ (W)	130		
Operating current (A)	1.3		

Motors with other voltages, frequencies and protection classes on request.

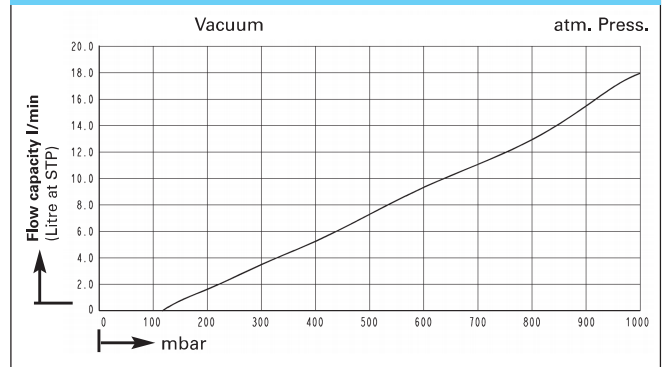
Dimensions mm (All dimensional tolerances conform to DIN ISO 2768-1, Tolerance Class V)



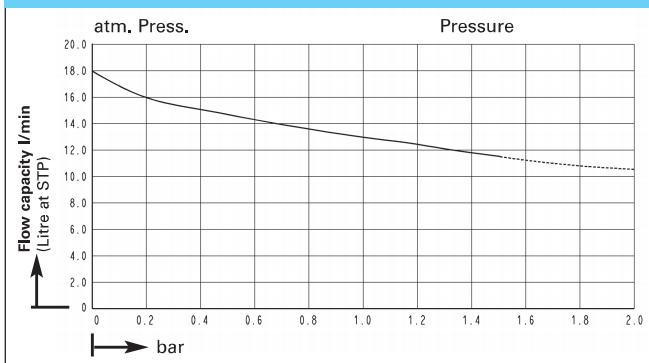
NPK 018 Vacuum DC



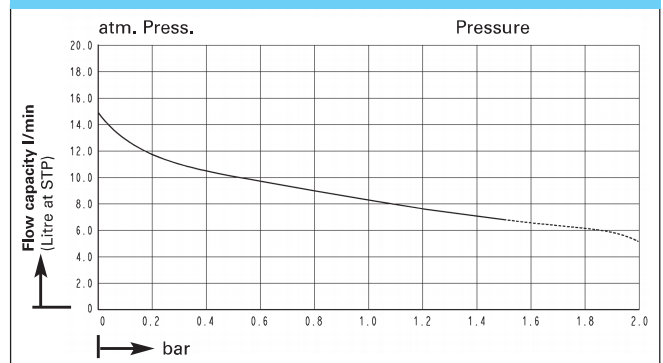
NPK 018 Vacuum AC



NPK 018 Pressure DC



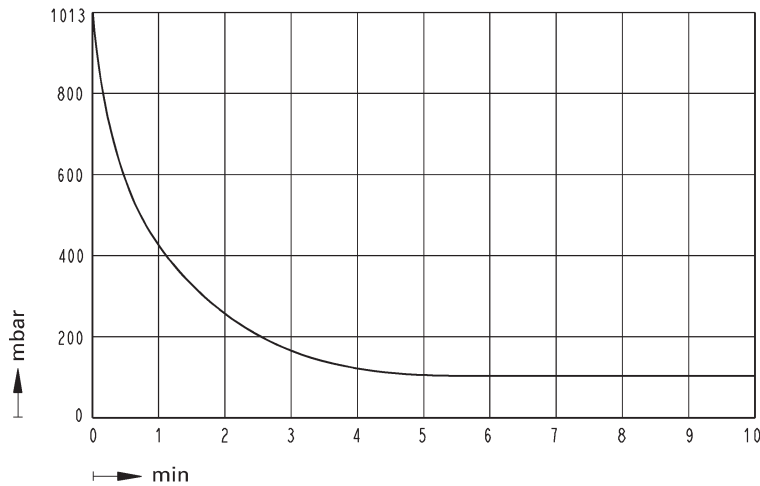
NPK 018 Pressure AC



----- for short periods only

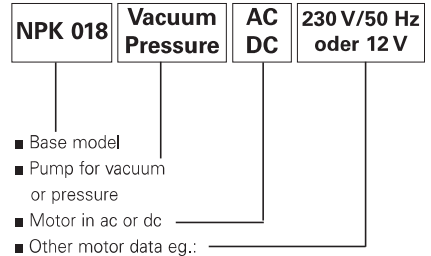
Pump down time for 20 l receiver

NPK 018 Vacuum



MODEL CODE FOR EASY ORDERING

The model code is identical to the order number. It is made up as follows:



In addition the motor data must be given in the purchase order (voltage, frequency, and protection class). In our extensive program you are sure to find the pump you need for your particular application.

Accessories

Description	Order No.	Details
Silencer/Filter	058987	

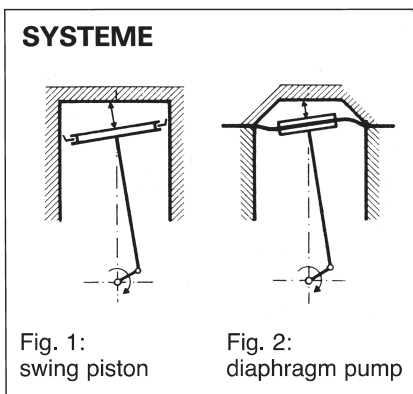
Hints on function, installation: see back side

KNF - the competent partner for vacuum and compressor technology. Especially for unusual problems. Call us and talk to our application engineers.

HINTS ON FUNCTION, INSTALLATION AND SERVICE

FUNCTION OF KNF SWING PISTON VACUUM PUMPS AND COMPRESSORS

As it rises and falls the piston tilts first to one side, then the other (see figure 1). Just as with the diaphragm pump, the compression forces act along the axis of the connecting rod, so that there is no component of force acting against the cylinder wall to cause wear. In contrast to the diaphragm principle (see figure 2), the swing piston has a sealing lip. Thanks to the sealing lip on the piston seal the swing piston pump runs dry, and 100% oil-free.



HINTS ON INSTALLATION AND OPERATION

- Range of use: Transferring air and gases at temperatures between +5°C and +40°C (for other medias - please contact with KNF)
- Permissible ambient temperature: between +5°C and +40°C
- The standard pumps are not suitable for use in areas where there is a risk of explosion. In these cases there are other products in the KNF program - please ask us for details
- The pumps are not designed to start against pressure or vacuum; when a pump is switched on the pressure in the suction and pressure lines must be atmospheric. Pumps that start against pressure or vacuum are available on request
- To prevent the maximum operating pressure being exceeded, restriction or regulation of the air flow should only be carried out in the suction line

- Components connected to the pump must be designed to withstand the pneumatic performance of the pump
- Install the pump so that the fan can draw in sufficient cooling air
- Fit the pump at the highest point in the system, so that condensate cannot collect in the head of the pump - that prolongs working-life.

HINTS ON SERVICE

The piston seal and valves are the only parts of the KNF swing piston pumps subject to wear. They are easy to change, as no special tools are needed.

If you have any questions, please call our application engineers (see below for contact telephone number).

KNF Neuberger GmbH
Diaphragm Pumps + Systems
 Alter Weg 3
 D-79112 Freiburg
 Tel. ++49 (0)7664/5909-0
 Fax ++49 (0)7664/5909-99
 E-mail: info@knf.de
 www.knf.de