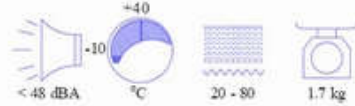




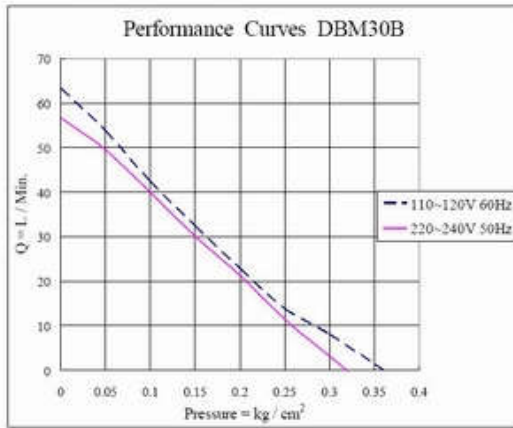
性能曲线

Model No. DBM30B

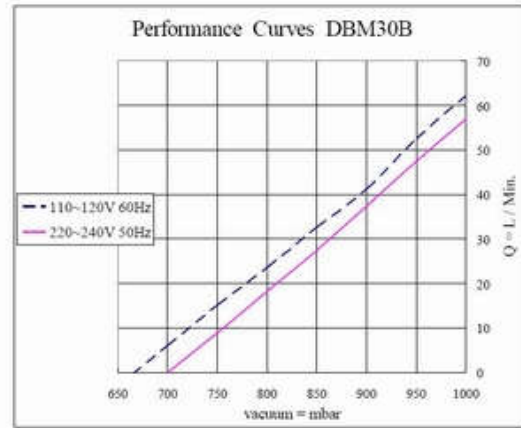
Performance / Rendimiento / Prestanda



★Allowance : $\pm 5\%$

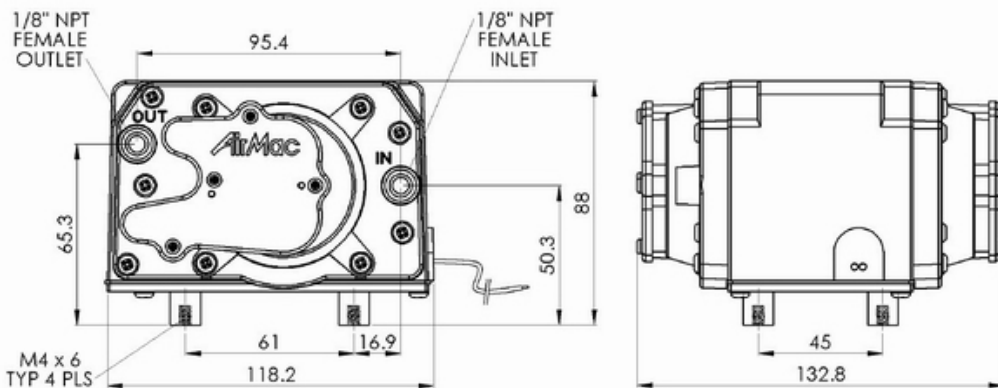


Exhaust



Vol.suction

安装尺寸 (mm)



Model No.	Voltage (VAC)	Frequency (HZ)	Rated Pressure (kg/cm ²)	Airflow (LPM)	AMP (A)	WATT (W)	Max. Vacuum (Milli bar)
DBM30B	110 ~ 120	60	0.13	35	0.3	28	325
DBM30B	220 ~ 240	50	0.13	33	0.13	24	300